

Tools points to hammers

10 group

- Tool points to pneumatic hammers
- Tool points to electrical hammers
- Tool points to hydraulic hammers
- Hand pneumatic hammers

	d mm	D mm	H mm	L mm	Catalogue no.	
					Point	Dłuto
	22	36	70	400	7022004	7122004
	22	36	70	1250	7022012	7122012
	22	36	70	1500	7022015	7122015
	25	42	75	400	7025004	7125004
	25	42	75	450	7025104	7125104
	25	42	75	1000	7025010	7125010
	25	42	75	1250	7025012	7125012
	25	42	75	1500	7025015	7125015
	25	42	75	1800	7025018	7125018
	25	42	75	2000	7025020	7125020
	25	42	75	3000	7025030	7125030
	25	42	75	4000	7025040	7125040

	S mm	H mm	L mm	Catalogue no.	
				Point	Tool chisel
	22	82,5	500	7222204	7322005
	22	82,5	1250	7222212	7322012
	22	82,5	1500	7222215	7322015
	25	108	400	7225004	7325004
	25	108	450	7225104	7325104
	25	108	1000	7225010	7325010
	25	108	1250	7225012	7325012
	25	108	1500	7225015	7325015
	25	108	1800	7225018	7325018
	25	108	2000	7225020	7325020
	25	108	3000	7225030	7325030
	25	108	4000	7225040	7325040

	S mm	D mm	H mm	L mm	Catalogue no.	
					Point	Tool chisel
	32	45	160	2000	7232120	7332120
	32	45	160	2500	7232125	7332125
	35	54	110	600	7235006	7335006

	S mm	D mm	H mm	L mm	A mm	Catalogue no.
		32	45	160	470	37
	32	45	160	630	40	7332004
	54	54	110	560	70	7335104
	54	54	110	560	110	7335204

	A mm	G mm	Catalogue no.
	30	2	76013011
	30	3	76013012
	30	4	76013013
	30	5	76013014
	30	6	76013015
	30	7	76013016
	30	8	76013017
	30	10	76013018
	30	12	76013019
	30	14	76013020
	50	2	76014011
	50	3	76014012
	50	4	76014013
	50	5	76014014
	50	6	76014015
	50	7	76014016
	50	8	76014017

	D mm	H mm	L mm	Catalogue no.	
				Point	Tool chisel
	19	60	400	7602104	7602204
	19	60	550	7602105	7602205

	D mm	H mm	L mm	Catalogue no.		Spade
				Point	Tool chisel	
	16	33	300	7602903	7603003	7603103
	16	33	405	7602904	7603004	7603104

	d mm	Catalogue no.		Spade
		Point	Tool chisel	
	700	76006072	76006071	76006073

	D mm	d mm	H mm	B mm	L mm	Catalogue no.
	50 64 80 100 114	40 48 60 75 79	138 111 138 154 211	38,5 52 62 80 80	500 800 900 1000 1400	7602305 7601608 7601809 7602610 7602014

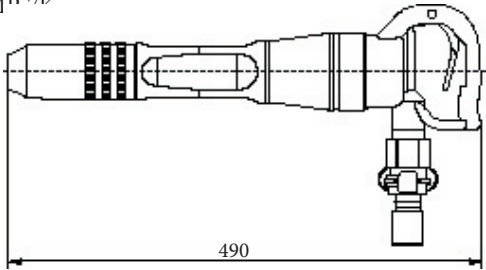
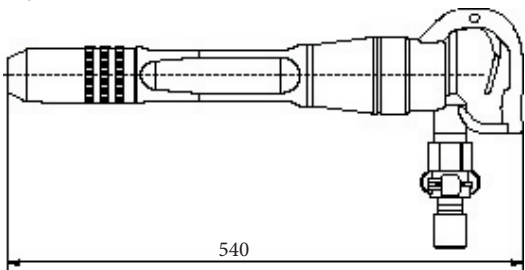
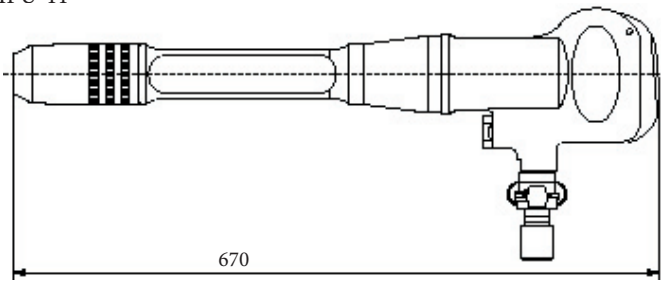
	L mm	Catalogue no.
	1000 1250	7603510 7603512
	900	7601309
	1100	7603711
	1100	7603311

	L mm	Catalogue no.	
		Flat	Tool chisel
	850	7636208	7601908
	900	7636209	7601909
	1000	7636210	7601910
	1100	7636211	7601911

	D mm	Catalogue no.		
		Point	Flat	Tool chisel
	800	7636008	7602808	7600908
	1000	7636010	7602810	7600910
	1100	7636011	7602811	7600911
	1250	7636012	7602812	7600912

	L mm	Catalogue no.
	1100	7601511
	1100	7603411
	1150	7635911

	L mm	Catalogue no.	
		Point	Flat
	1000	7635810	7600710
	1150	7635811	7600711

	Hammer's mass (without a tool point) kg	Hammer's length (without a tool point) mm	Number of strokes /min	Stroke energy kJ	Air consumption Nm ³ /min	Supply pressure MPa	Dimensions of tool points holder mm
MP-7K 	7	490	1570	14	0,8	0,4 - 0,6	∅22 x 70
MP-9K 	9	540	1350	26	0,96	0,4 - 0,6	∅25 x 75
MPU-11 	12,7	670	580	34	1,2	0,4 x 0,6	∅25 x 75